

Lead (Pb) Free Product RoHS compliant

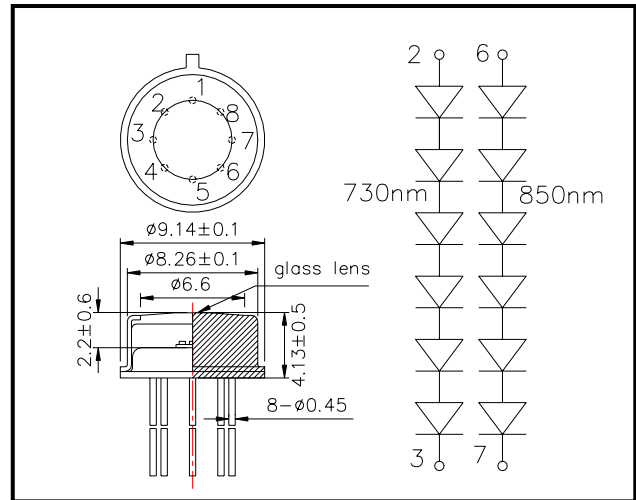
**L6\*730/6\*850-40Q96-I multi-wavelength LED**

L6\*730/6\*850-40Q96-I consists of 12 chips of AlGaAs (730nm and 850nm) LED mounted with AlN heat sink pedestal on TO-5 stem and sealed with a flat glass can.

◆ Specifications

- 1) Product Name Multi-wavelength LED Lamp
- 2) Type No. L6\*730/6\*850-40Q96-I
- 3) Chip
  - (1) Chip material AlGaAs
  - (2) Peak wavelength 730, 850nm
  - (3) Chip numbers Each 6pcs
- 4) Package
  - (1) Stem TO-5, 8 pins type
  - (2) Lens Flat glass can

◆ Outer dimension (Unit: mm)



◆ Absolute Maximum Ratings [Ta=25°C]

Item	Symbol	Maximum Rated Value		Unit
		730	850	
Power Dissipation	PD	1100	1280	mW
Forward Current	IF	75	100	mA
Pulse Forward Current	IF	200	500	mA
Reverse Voltage	VR	5		V
Operating Temperature	TOPR	-20 ~ +80		°C
Storage Temperature	TSTG	-30 ~ +100		°C
Soldering Temperature	TSOL	240		°C

‡Soldering condition: Soldering condition must be completed within 3 seconds at 240°C and is allowed in the area apart 3mm from the bottom of the lamp.

Electro-Optical Characteristics [Ta=25°C]

Symbol	Wavelength	Condition	Minimum	Typical	Maximum	Unit
VF	730	IF=50mA		11.0	14.0	V
	850					
IR		VR=10V			10	uA
PO	730	IF=50mA		50		mW
	850					
λP	730	IF=50mA		730		nm
	850					
Δλ	730	IF=50mA		30		nm
	850					

‡Total Radiated Power is measured by Photodyne#500