

LW47-66-60

Silicone Resin Type White Color Light Illuminator

LW47-66-60 is a wide viewing and extremely high bright and output power illuminator assembled with a total of 60 high efficiency InGaN blue color diode chips, mounted on a metal stem TO-66 and covered silicone resin.

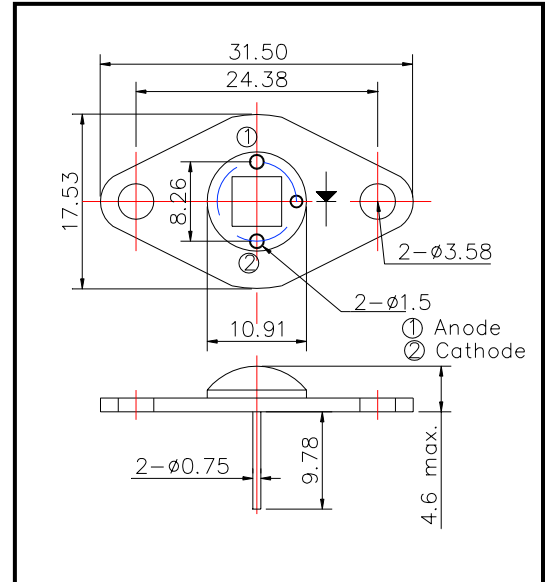
◆ Features

- 1) High Brightness
- 2) Compact (TO-66) package

◆ Specifications

- | | |
|---------------------|-------------------------------|
| 1) Product name | White Color Light Illuminator |
| 2) Spec. No. | LW47-66-60 |
| 3) Chip | |
| (1) Material | InGaN |
| (2) Peak wavelength | White Color |
| 4) Package | |
| (1) Stem | TO-66 stem |
| (2) Lens | Silicone Resin |

◆ Outer dimension (Unit: mm)



◆ Absolute Maximum Ratings

Item	Symbol	Maximum Rated Value	Unit	Ambient Temperature
Power Dissipation	PD	8.5	W	Ta=25°C
Forward Current	IF	400	mA	Ta=25°C
Pulse Forward Current	IFP	2000	mA	Ta=25°C
Reverse Voltage	VR	30	V	Ta=25°C
Operating Temperature	TOPR	-30 ~ +80	°C	
Storage Temperature	TSTG	-30 ~ +100	°C	
Soldering Temperature	TSOL	240	°C	

‡ Pulse Forward Current condition: Duty=1% and Pulse Width=1us.

‡ Soldering condition : Soldering condition must be completed within 3 seconds at 260

◆ Electro-Optical Characteristics

Item	Symbol	Condition	Minimum	Typical	Maximum	Unit
Forward Voltage	VF	IF=240mA		19.0		V
Brightness	IV	IF=240mA		13		cd
Total Radiated Power	PO	IF=240mA		60		mW
Radiant Intensity	IE	IF=240mA		35		mW/sr
Reverse Current	VR	IR=10uA	50			V
Peak Wavelength	λP	IF=240mA		*1		nm
Half Width	Δλ	IF=240mA		-		nm
Viewing Half Angle	θ 1/2	IF=240mA		±55		deg.

*1 x: 2.3±0.3E-01, y: 2.2±0.3E-01

‡ Heat sink is required thermal resistance <8K/W