

# L470-01V Super Bright Blue LED

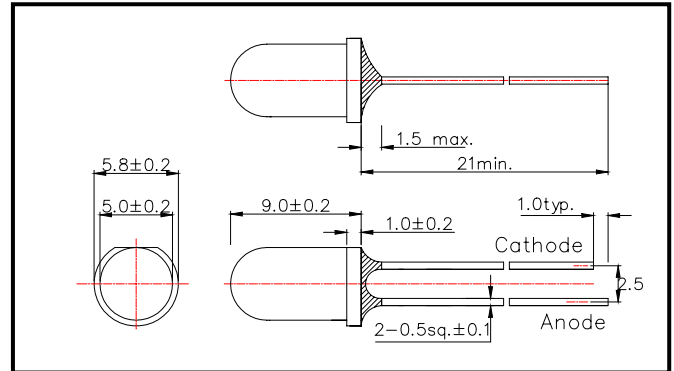
L470-01V is an InGaN LED mounted on a lead frame with a clear epoxy lens.

On forward bias, it emits a band of visible light, which peaks 470nm.

### ◆ Specifications

1) Product Name	Blue LED Lamp
2) Type No.	L470-01V
3) Chip	
(1) Chip Material	InGaN
(2) Peak Wavelength	470nm typ.
4) Package	
(1) Type	Φ5mm clear molding
(2) Resin Material	Epoxy Resin
(3) Lead Frame	Soldered

### ◆ Outer dimension (Unit : mm)



### ◆ Absolute Maximum Ratings

Item	Symbol	Maximum Rated Value	Unit	Ambient Temperature
Power Dissipation	P <sub>D</sub>	120	mW	T <sub>a</sub> =25°C
Forward Current	I <sub>F</sub>	30	mA	T <sub>a</sub> =25°C
Reverse Voltage	V <sub>R</sub>	5	V	T <sub>a</sub> =25°C
Operating Temperature	T <sub>OPR</sub>	-30 ~ +85	°C	
Storage Temperature	T <sub>STG</sub>	-30 ~ +100	°C	
Soldering Temperature	T <sub>SOL</sub>	260	°C	

‡Soldering condition: Soldering condition must be completed within 3 seconds at 260°C

### ◆ Electro-Optical Characteristics

Item	Symbol	Condition	Minimum	Typical	Maximum	Unit
Forward Voltage	V <sub>F</sub>	I <sub>F</sub> =20mA		3.8	4.3	V
Reverse Current	I <sub>R</sub>	V <sub>R</sub> =5V			10	uA
Total Radiated Power	P <sub>O</sub>	I <sub>F</sub> =20mA		5.0		mW
Brightness	I <sub>V</sub>	I <sub>F</sub> =20mA		2500		mcd
Peak Wavelength	λ <sub>P</sub>	I <sub>F</sub> =20mA	460	470	480	nm
Half Width	Δλ	I <sub>F</sub> =20mA		25		nm
Viewing Half Angle	θ <sub>1/2</sub>	I <sub>F</sub> =20mA		±10		deg.

‡Brightness is measured by Tektronix J-16.

‡Total Radiated Power is measured by Photodyne #500