

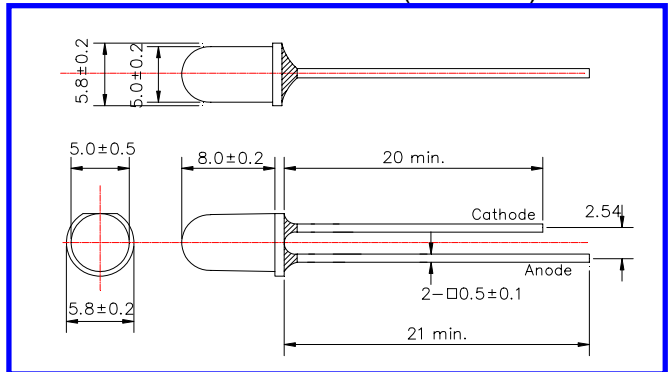
L565-01U High Bright Green LED Lamp

L565-01U is a GaP LED mounted on a lead frame with a clear epoxy lens. On forward bias, it emits a band of visible light which peaks 565nm.

◆ Specifications

1) Product Name	high bright green LED Lamp
2) Type No.	L565-01U
3) Chip	
(1) Chip Material	GaP
(2) Peak Wavelength	565nm typ.
4) Package	
(1) Type	φ5mm clear molding
(2) Resin Material	Epoxy Resin
(3) Lead Frame	Soldered

◆ Outer dimension (Unit: mm)



◆ Absolute Maximum Ratings

Item	Symbol	Maximum Rated Value	Unit	Ambient Temperature
Power Dissipation	PD	130	mW	Ta=25°C
Forward Current	IF	50	mA	Ta=25°C
Reverse Voltage	IR	5	V	Ta=25°C
Operating Temperature	TOPR	-30 ~ +85	°C	
Storage Temperature	TSTG	-30 ~ +100	°C	
Soldering Temperature	TSOL	260	°C	

‡Soldering condition: Soldering condition must be completed within 3 seconds at 260°C

◆ Electro-Optical Characteristics

Item	Symbol	Condition	Minimum	Typical	Maximum	Unit
Forward Voltage	V _F	I _F =20mA		2.2	2.4	V
Reverse Current	I _R	V _R =20mA			10	uA
Total Radiated Power	P _O	I _F =20mA		0.2		mW
Brightness	I _v	I _F =20mA	300	600		mcd
Peak Wavelength	λ _P	I _F =20mA	560	565	570	nm
Half Width	Δλ	I _F =20mA		25		nm
Viewing Half Angle	Θ _{1/2}	I _F =20mA		±10		deg.

‡Brightness is measured by Tektronix J-16.

‡Radiated Power is measured by Ando Optical Multi Meter AQ2140 & AQ2741

EPITEX INC. : 4, Nishiaketa-Cho, Higashi-Kujyou, Minami-Ku, Kyoto, Japan

Tel.: ++81-75-682-2338 Fax: ++81-75-682-2267

e-mail: sales-dep@epitex.com

<http://www.epitex.com>