

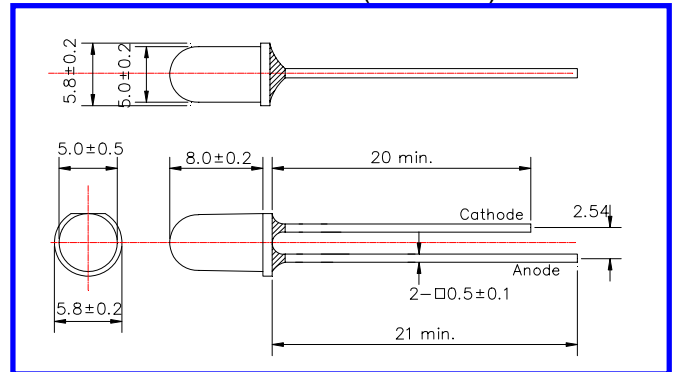
L590-01V Super Bright Yellow LED Lamp

L590-01V is an InGaAlP/GaAs LED mounted on a lead frame with a clear epoxy lens. On forward bias, it emits a band of visible light which peaks 590nm.

◆ Specifications

1)Product Name	super bright yellow LED Lamp
2)Type No.	L590-01V
3)Chip	
(1)Chip Material	InGaAlP/GaAs
(2)Peak Wavelength	590nm typ.
4)Package	
(1)Type	φ5mm clear molding
(2)Resin Material	Epoxy Resin
(3)LeadFrame	Soldered

◆ Outer dimension (Unit: mm)



◆ Absolute Maximum Ratings

Item	Symbol	Maximum Rated Value	Unit	Ambient Temperature
Power Dissipation	PD	110	mW	Ta=25°C
Forward Current	IF	50	mA	Ta=25°C
Reverse Voltage	VR	5	V	Ta=25°C
Operating Temperature	TOPR	-30 ~ +85	°C	
Storage Temperature	TSTG	-30 ~ +100	°C	
Soldering Temperature	TSOL	260	°C	

‡Soldering condition: Soldering condition must be completed within 3 seconds at 260°C

◆ Electro-Optical Characteristics

Item	Symbol	Condition	Minimum	Typical	Maximum	Unit
Forward Voltage	VF	IF=20mA		2.0	2.3	V
Reverse Current	IR	VR=20mA			10	uA
Total Radiated Power	PO	IF=20mA		2000		mW
Brightness	Iv	IF=20mA		1.0		mcd
Peak Wavelength	λP	IF=20mA	580	590	600	nm
Half Width	Δλ	IF=20mA		15		nm
Viewing Half Angle	Θ1/2	IF=20mA		±9		deg.

‡Brightness is measured by Tektronix J-16.

‡Radiated Power is measured by Ando Optical Multi Meter AQ2140 & AQ274

EPITEX INC. : 4, Nishiaketa-Cho, Higashi-Kujyou, Minami-Ku, Kyoto, Japan

Tel.: ++81-75-682-2338 Fax: ++81-75-682-2267

e-mail: sales-dep@epitex.com

<http://www.epitex.com>