

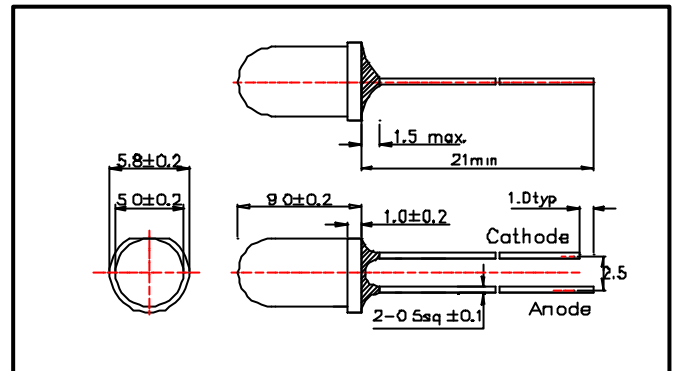
L590-01W Ultra Bright Yellow LED

L590-01W is an InGaAlP LED mounted on a lead frame with a clear epoxy lens. On forward bias it emits a band of visible light, which peaks 590nm.

Specifications

1) Product Name	Ultra Bright Yellow LED
2) Type No.	L590-01W
3) Chip	
(1) Chip Material	AlGaInP
(2) Peak Wavelength	590nm typ.
4) Package	
(1) Type	φ5mm clear molding
(2) Resin Material	Epoxy Resin
(3) Lead Frame	Soldered

Outer dimension (Unit: mm)



Absolute Maximum Ratings

Item	Symbol	Maximum Rated Value	Unit	Ambient Temperature
Power Dissipation	P _D	130	mW	T _a =25°C
Forward Current	I _F	50	mA	T _a =25°C
Reverse Voltage	V _R	5	V	T _a =25°C
Operating Temperature	T _{OPR}	-30 ~ +85	°C	
Storage Temperature	T _{STG}	-30 ~ +100	°C	
Soldering Temperature	T _{SOL}	260	°C	

‡Soldering condition: Soldering condition must be completed within 3 seconds at 260°C

Electro-Optical Characteristics

Item	Symbol	Condition	Minimum	Typical	Maximum	Unit
Forward Voltage	V _F	I _F =20mA		2.2	2.6	V
Reverse Current	I _R	V _R =5V			10	uA
Total Radiated Power	P _O	I _F =20mA		2.0		mW
Brightness	I _v	I _F =20mA	2000	4000		mcd
Peak Wavelength	λ _P	I _F =20mA	580	590	600	nm
Half Width	Δλ	I _F =20mA		15		nm
Viewing Half Angle	Θ _{1/2}	I _F =20mA		±9		°

‡Brightness is measured by Tektronix J-16.

‡Total Radiated Power is measured by Photodyne #500